



Purpose

G-QM position switch is a safety valve displacement sensor with two outputs pin2/pin4. It can monitor the spool position quickly and accurately, and output voltage according to the spool position switching. The position switch has the function of voltage surge, overload-proof, short circuit protection and polarity protection. It also has the characteristics such as high precision, good repeatability, long service life, high reliability etc.

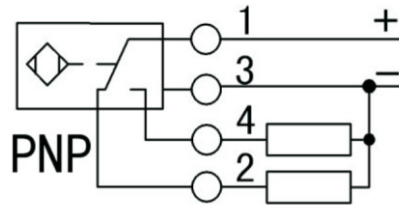
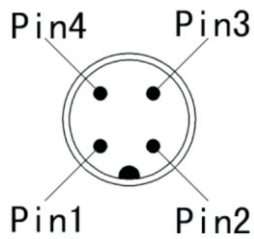
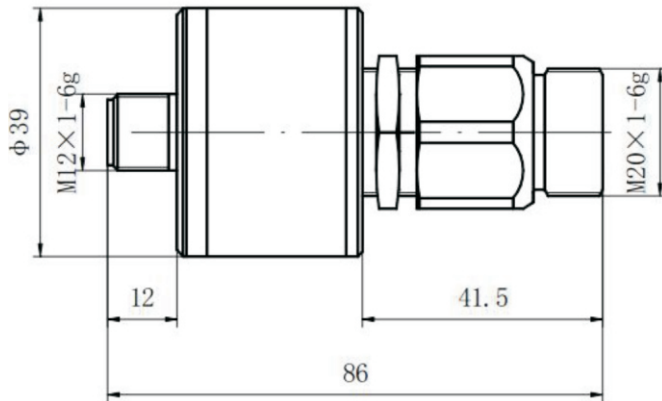


Key Parameters

Code		G-QM
Supply Voltage U_b	(V)	24±20% DC
Output Voltage(min)	(V)	$U_b - 2.5$
Current Consumption	(mA)	≤40
Output Current(max)	(mA)	400
Residual Voltage	(V)	≤1
Output		Polarity Protection & Load Protection
Electrified Rate		100%
Type of Protection to EN 60529		IP67
Frequency	(/S)	max.10
Vibration	(mm)	10~15HZ,Amplitude±1.5
Repeatability at 25°C	(mm)	≤0.02
Switching Point Hysteresis	(mm)	≤0.05
-20°C+80°C Temperature Coefficient	(mm/°C)	≤0.004
Static Oil Pressure	(MPa)	21



Externality & Installation Dimensions



Pin1.+24V
Pin2.Normally Close(Low Impedance-High Impedance)
Pin3.0V
Pin4.Normally Open(High Impedance-Low Impedance)

Explanation Of Sample

- If the application is beyond the catalogue, please contact with us.
- The main performance parameter is obtained in the conditions of lab. Finally explanation and changing of the parameters by KATDT.