



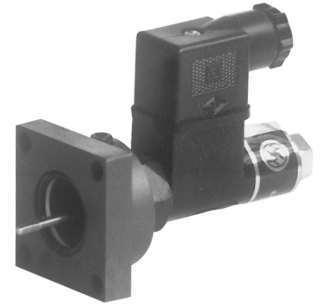
IW9-03 INDUCTANCE DISPLACEMENT TRANSDUCER

Purpose

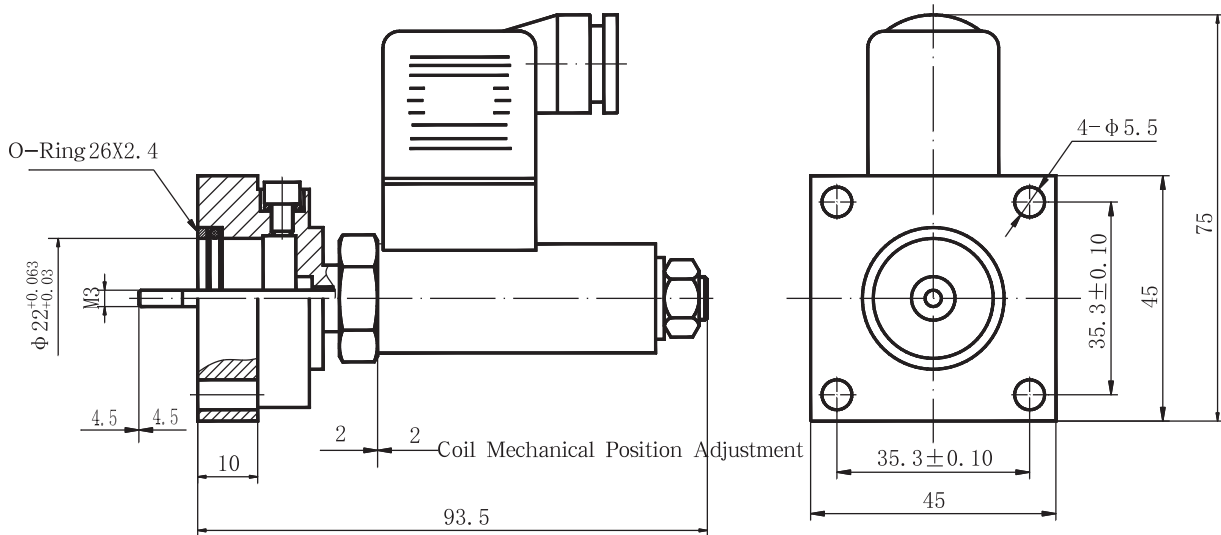
This product is a kind of differential inductance displacement transducer. It is introduced from BSO of Germany.

It is used in the control circuits of DC 24V together with measuring amplifier.

The movable pole of sensor makes the inductance change, and the change of inductance feed back to the amplifier, and then the amplifier transform the inductance changes into the input voltage.



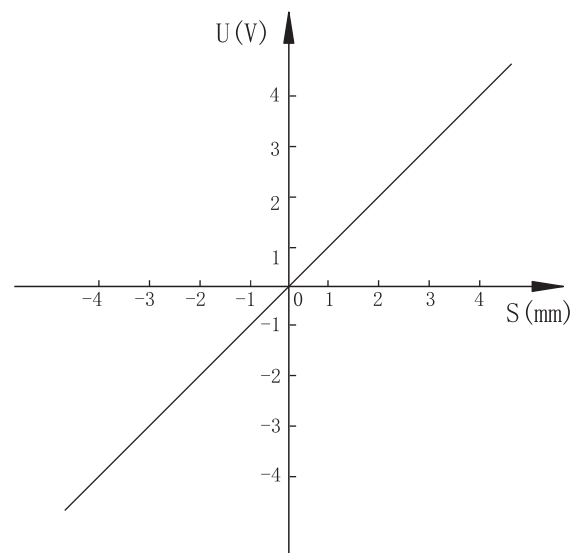
Externality & Installation Dimensions



Key Parameters

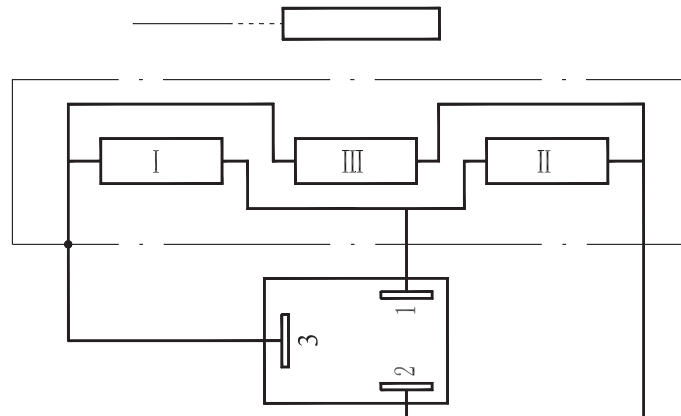
Code	IW9-03	
Working Stroke	(mm)	± 4.5
Linear Precision	(%)	≤ 1
Repeat Precision	(%)	≤ 1
Carrier Wave	(KHz)	2.5
Coil Resistance 20°C	(Ω)	I-31 II-31 III-45
Winding Induction	(mH)	6-8
Protection Class		IP65
Static Oil Pressure	(MPa)	31.5

Curve





Schematic Circuit Diagram



Operating Notice

- Transducers meet with ISO4400 standard.
- The CPS is offered by amplifier.
- The working medium of hydraulic system is mineral oil, phosphoric acid oil.
- Make the vent hole above when installing, make sure the air exhausted from solenoid when you use it.
- The sensor fit for the continuous duty system.
- The seat screw must use high strength bolt (degree of 10.9), o-ring of connection must be radial sealed.
- The position of axial direction can be adjusted $\pm 2\text{mm}$.

Explanation Of Sample

- If the application is beyond the catalogue, please contact with us.
- Characteristic curve for reference only.
- The main performance parameter is obtained in the conditions of lab. Finally explanation and changing of the parameters by KATDT.