

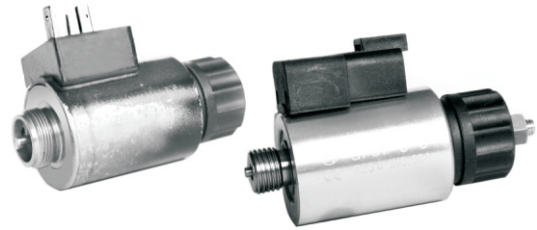


## GP37 SERIES PROPORTIONAL VALVE SOLENOID WITH SCREW THREAD

### Purpose

This product is a set of electric-mechanical transformation, in the range of the rated stroke and rated current, output force is proportional to input signal. Together with proportional control amplifier, it can be realized accuracy control to

electric-hydraulic valve spool .It's size is small, linear is balance and repeated precision is high. It is used in machinery construction, as control proportional flow valve and proportional direction valve components.

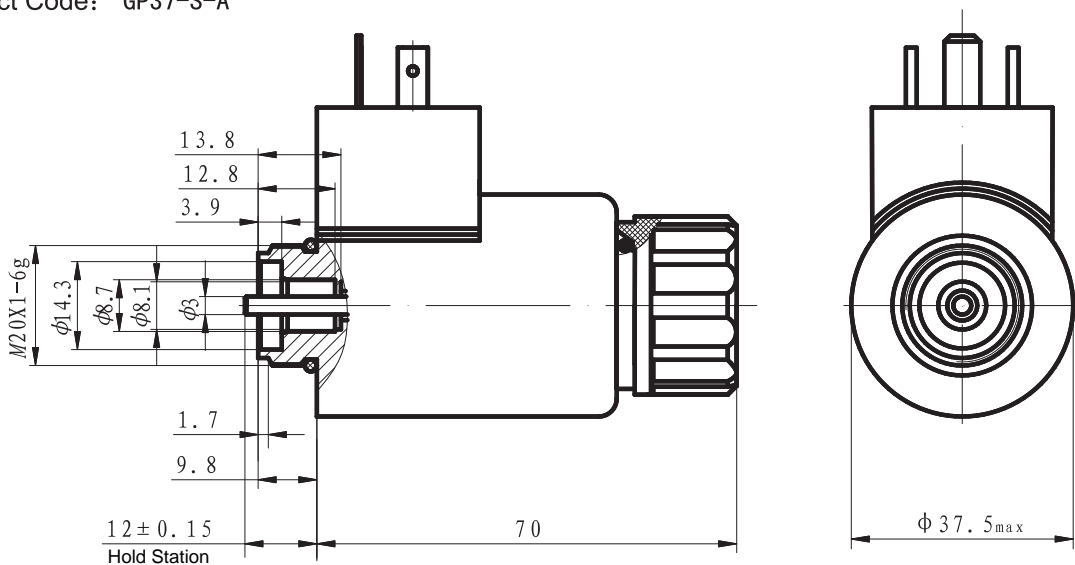


### GP37 Series Key Parameters

Code		GP37-S-A	GP37-S-C
Rated Stroke	(mm)	2.2	2
Total Stroke	(mm)	4.5	2.2
Rated Current	(A)	2	0.6
Rated Force	(N)	40	35
Room Temperature Resistance 20°C (Ω)		2.7	23
Force Lag Characteristic	(%)	≤4	≤4
Current Lag Characteristic	(%)	≤3	≤3
Repeat Accuracy	(%)	≤1	≤1
Static Oil Pressure	(MPa)	21MPa	21MPa
Degree Of Enclosure		IP67	IP67
Power Connect Mode		DIN Pin Mode	DT06-2S

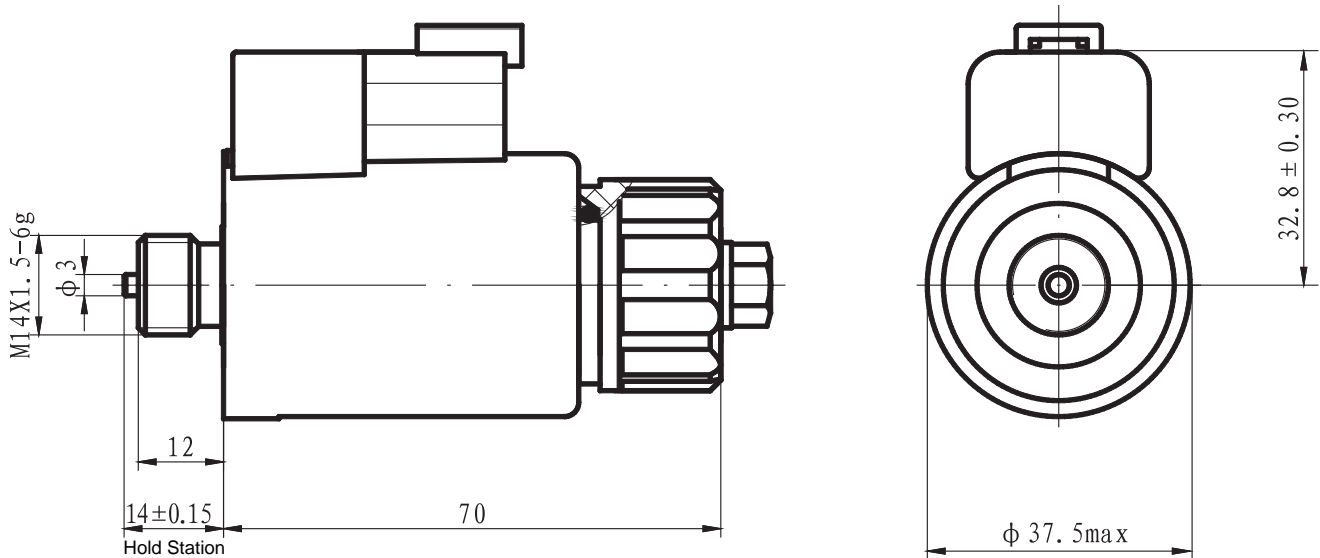
### Externality & Installation Dimensions

Product Code: GP37-S-A





Product Code: GP37-S-C



## Operating Notice

- There is a protector of over-current between electrical control system and solenoid, in order to prevent the solenoid and the electrical component from burning in improper conditions.
- The handle operating button is fit for adjustment, service and sometime in emergency.

## Explanation Of Sample

- If client have special requirements, we can adjust the connect dimension, power connect method and the extended length of push pin as demanding.