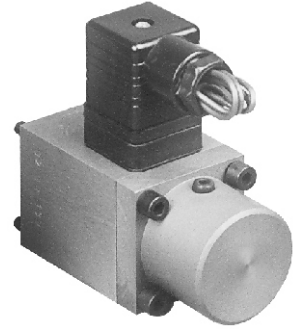




GP45 SERIES PROPORTIONAL VALVE SOLENOID<II>

Purpose

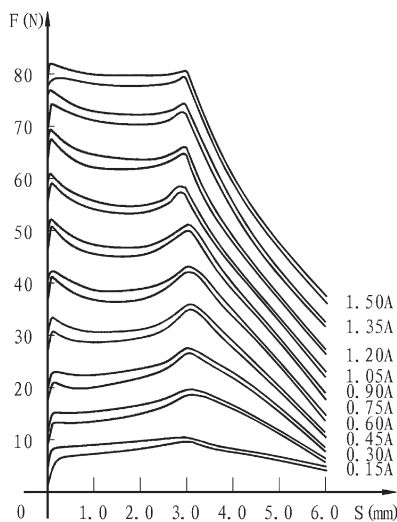
This product is a set of electric-mechanical transformation, together with proportional control amplifier, used in the electric-hydraulic proportional system of DC 24V or 12V. They are used in the proportional flux control valve and proportional directional valve of REXROTH. In the range of the rated stroke and rated current, the output force & stroke is proportional to the input current, the force is permanent within rated stroke, the input current is infinitely variable control within rated range. It can make the outfit of the hydraulic system realize infinite speed variation, commutation and telecontrol.



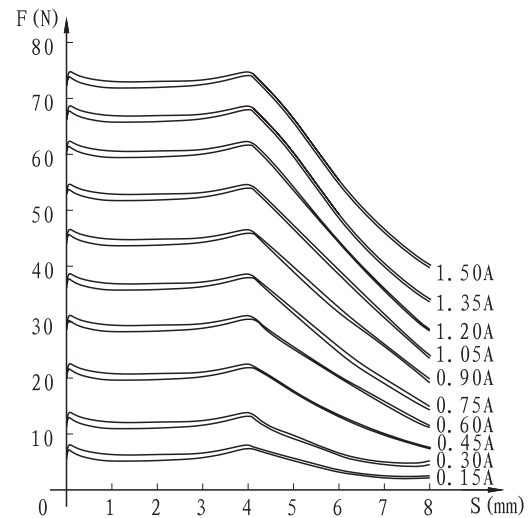
Key Parameters

Code		GP45A4-A	GP45B4-A
Rated Current	(A)	0.8/1.5	0.8/1.5
Room Temperature Resistance 20°C	(Ω)	19.5/5.4	19.5/5.4
Rated Force	(N)	80	75
Rated Stroke	(mm)	3	4
Total Stroke	(mm)	6	8
Force Lag Characteristic	(%)	≤4	≤4
Current Lag Characteristic	(%)	≤3	≤3
Repeat Accuracy	(%)	≤1	≤1
Static Oil Pressure	(MPa)	21	21
Degree Of Enclosure		IP65	IP65

Steady Stroke-Force Curve



GP45A4-A

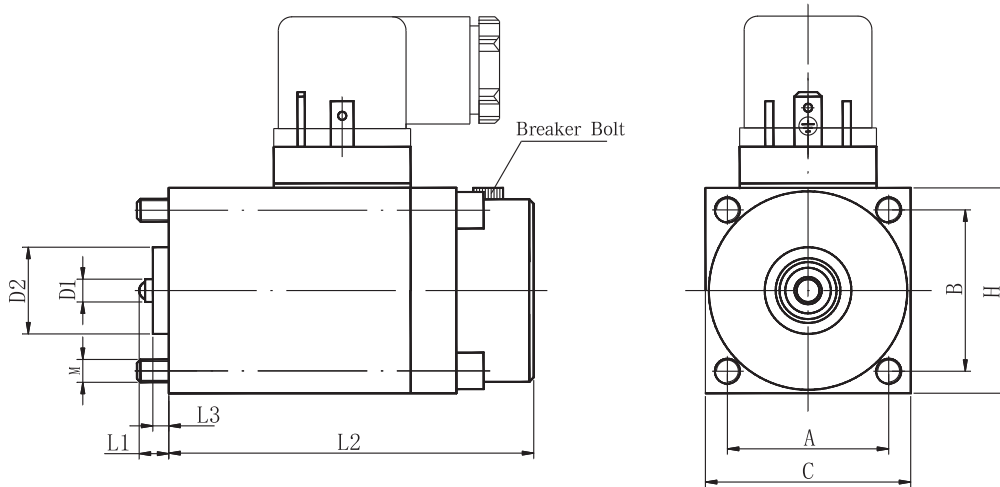


GP45B4-A



GP45 SERIES PROPORTIONAL VALVE SOLENOID<II>

Externality & Installation Dimensions



Nominal Size	A	B	C	D1	D2	H	L1	L2	L3	M
GP45A4-A	35.3	35.3	45	φ 5	φ 19	45	6.5	80	3.5	M5X70-12.9
GP45B4-A	35.3	35.3	45	φ 5	φ 19	45	6.5	80	3.5	M5X70-12.9

Operating Notice

- The socket of solenoids meet with ISO4400 standard.
- There is a protector of over-current between electrical control system and solenoid, in order to prevent the solenoid and the electrical component from burning in improper conditions.
- The working medium of hydraulic system is mineral oil, phosphoric acid oil.
- Make the vent hole above when installing, make sure the air exhausted from solenoid when you use it.
- The solenoid fit for continuous duty.
- Please note the current specification.

Explanation Of Sample

- If the application is beyond the catalogue, please contact with us.
- Characteristic curve for reference only.
- The main performance parameter is obtained in the conditions of lab. Finally explanation and changing of the parameters by KATDT.