



GP516 SERIES PROPORTIONAL VALVE SOLENOID WITH SCREW THREAD

Purpose

This product is used in the electric-hydraulic control system, together with the proportional amplifier, realizes the control of NG6 proportional value of REXROTH. In the range of the rated stroke and rated current, the output force is proportional to input current. It changes the characteristic force of the system through the internal spring to make output force more stable. Rated current that in infinite speed variation can realize the infinite control and telecontrol of the hydraulic system.



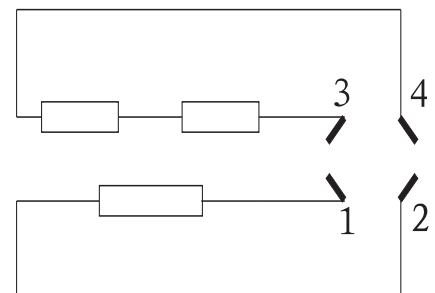
GP516 Series Key Parameters

Code	GP516-S-A	GP516-S-B	GP516-S-C	GP516-S-D	GP516-S-E	GP516-S-F
Rated Current (A)	2.5	2.5	2.5	1.5	2.5	2.5
Room Temperature Resistance 20°C (Ω)	2	2	2.7	5	2	2
Rated Force (N)	50	50	90	50	65	50
Rated Stroke (mm)	2.8	2.5	1.8	2.5	1.8	2.8
Total Stroke (mm)	≥6	3.5	≥6	3.5	≥6	≥6
Force Lag Characteristic (%)	≤4	≤4	≤4	≤4	≤4	≤4
Current Lag Characteristic (%)	≤3	≤3	≤3	≤3	≤3	≤3
Repeat Accuracy (%)	≤1	≤1	≤1	≤1	≤1	≤1
Static Oil Pressure (MPa)	21	21	21	21	21	21
Oil Temperature of Work (°C)	-20~+70	-20~+70	-20~+70	-20~+70	-20~+70	-20~+70
Degree Of Enclosure	IP65	IP65	IP65	IP65	IP65	IP65
Power Connect Mode	Junction Box Mode			Pin Mode		

Key Parameters of Displacement Sensor Screw Proportional Solenoid

Code	GP516-S-CIW	GP516-S-EIW
Rated Current (A)	2.5	2.5
Room Temperature Resistance 20°C (Ω)	2.7	2
Rated Force (N)	90	65
Rated Stroke (mm)	1.8	1.8
Total Stroke (mm)	≥6	≥6
Force Lag Characteristic (%)	≤4	≤4
Current Lag Characteristic (%)	≤3	≤3
Repeat Accuracy (%)	≤1	≤1
Static Oil Pressure (MPa)	21	21
Oil Temperature of Work (°C)	-20~+70	-20~+70
Degree Of Enclosure	IP65	IP65
Power Connect Mode	Junction Box Mode	Pin Mode

Connector Mark

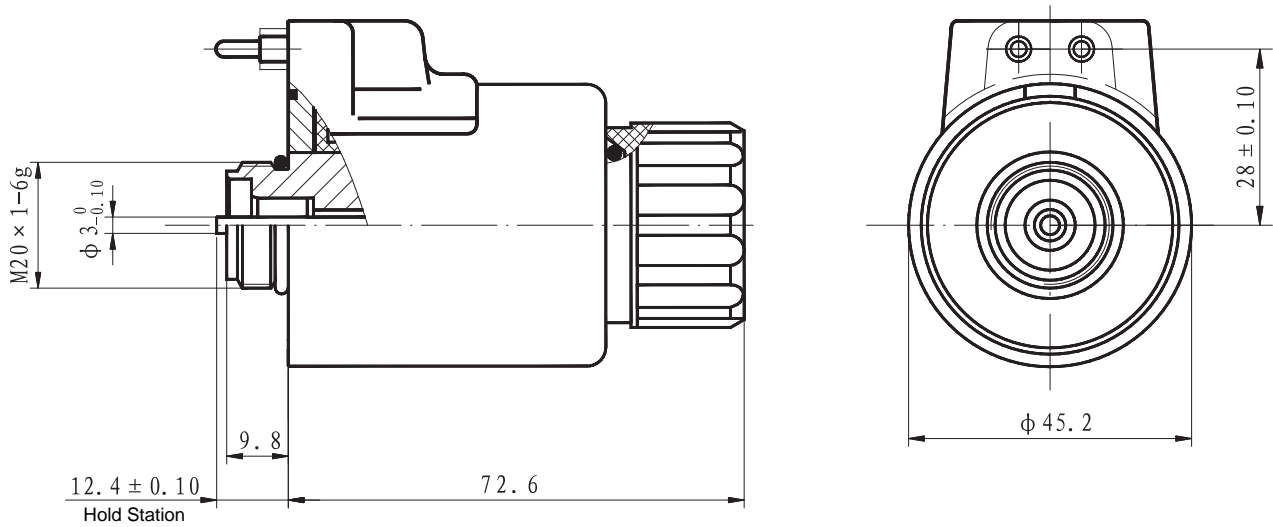




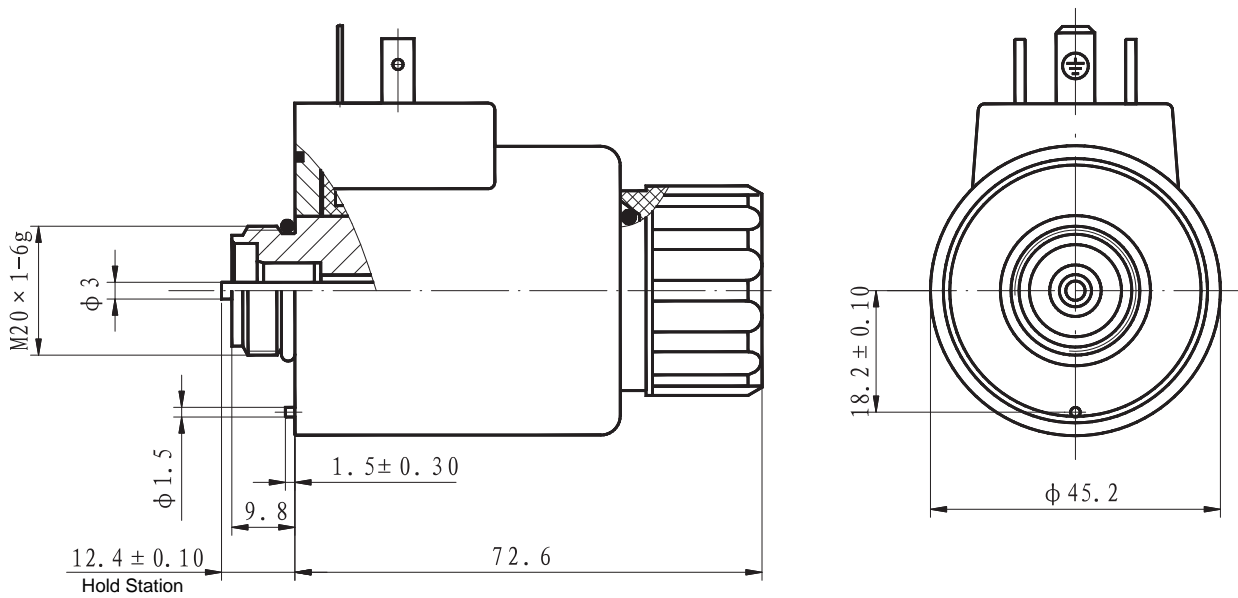
GP516 SERIES PROPORTIONAL VALVE SOLENOID WITH SCREW THREAD

Externality & Installation Dimensions

GP516 Junction Box Mode



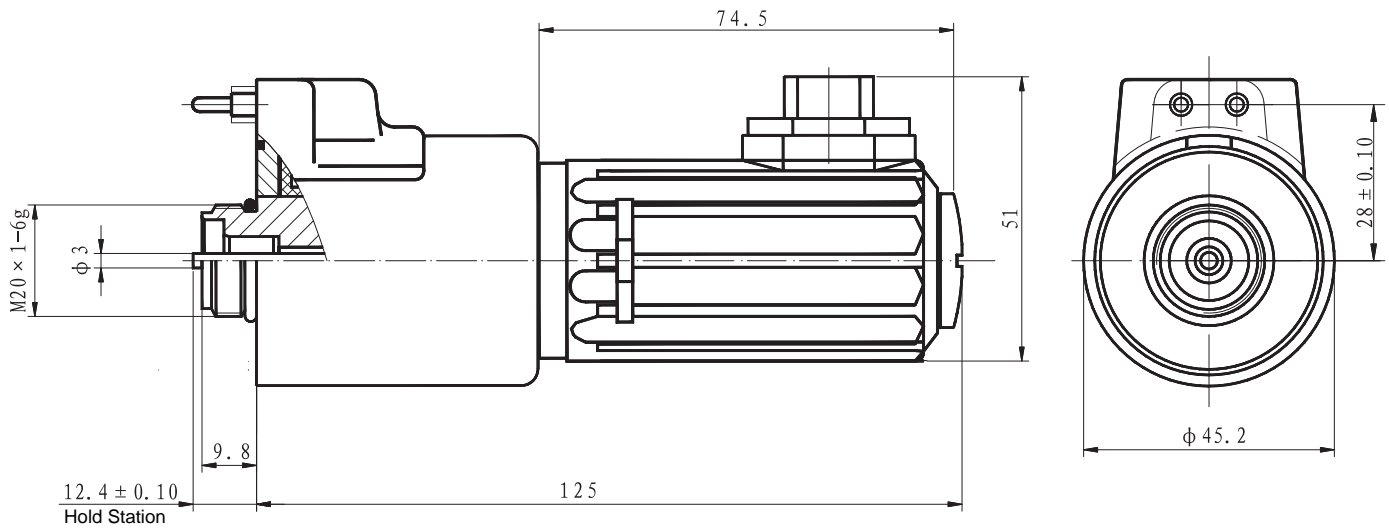
GP516 Pin Mode



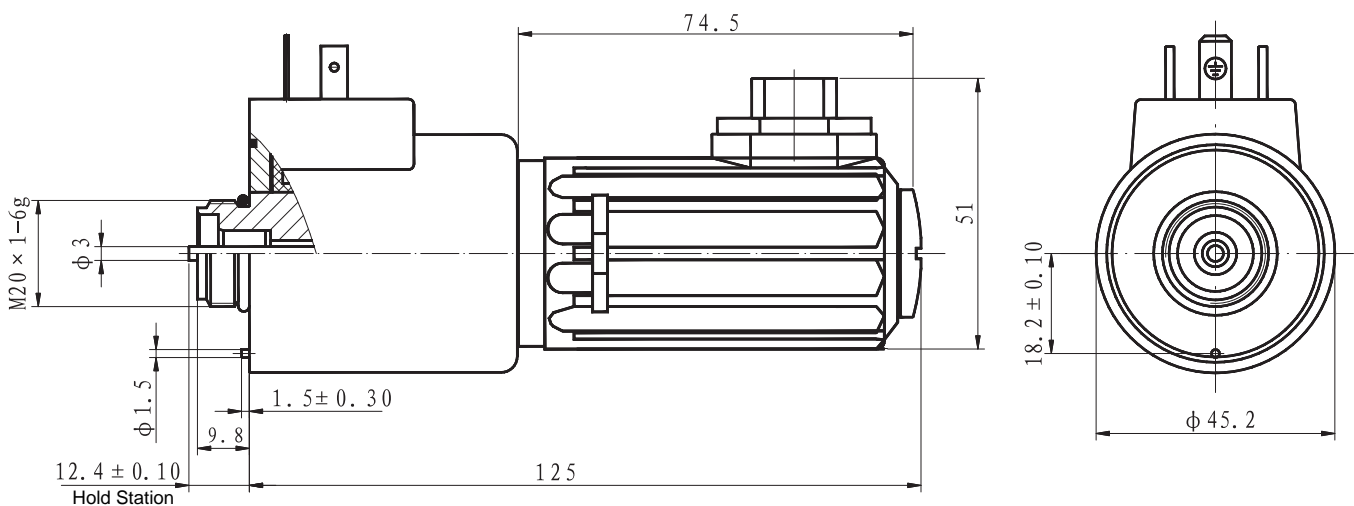


GP516 SERIES PROPORTIONAL VALVE SOLENOID WITH SCREW THREAD

GP516 Series Feedback Junction Box Mode



GP516 Series Feedback Pin Mode



Operating Notice

- There is a protector of over-current between electrical control system and solenoid, in order to prevent the solenoid and the electrical component from burning in improper conditions.
- The handle operating button is fit for adjustment, service and sometime in emergency.

Explanation Of Sample

- If client have special requirements, we can adjust the connect dimension, power connect method and the extended length of push pin as demanding.