



GP63 SERIES PROPORTIONAL VALVE SOLENOID WITH SCREW THREAD

Purpose

This product is used in the electric-hydraulic control system, together with the proportional amplifier, realizes the control of NG10 proportional valve of REXROTH. In the range of the rated stroke and rated current, the output force is proportional to input current. It changes the characteristic force of the system through the internal spring to make output force more stable. Rated current that in infinite speed variation can realize the infinite control and telecontrol of the hydraulic system.



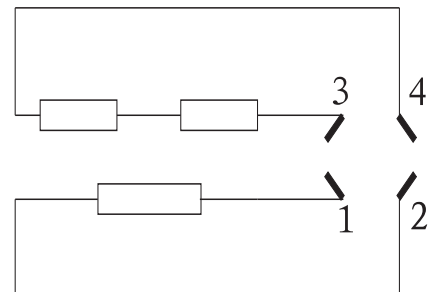
GP63 Series Key Parameters

Code	GP63-S-A	GP63-S-B	GP63-S-C	GP63-S-D
Rated Current (A)	3.3	2.6	2.5	3.3
Room Temperature Resistance 20°C (Ω)	2	4.1	3.7	2
Rated Force (N)	170	170	160	170
Rated Stroke (mm)	4	4	4	4
Total Stroke (mm)	≥8	≥9	≥9	≥8
Force Lag Characteristic (%)	≤5	≤5	≤5	≤5
Current Lag Characteristic (%)	≤3	≤3	≤3	≤3
Repeat Accuracy (%)	≤1	≤1	≤1	≤1
Static Oil Pressure (MPa)	21	21	21	21
Oil Temperature of Work (°C)	-20~+70	-20~+70	-20~+70	-20~+70
Degree Of Enclosure	IP65	IP65	IP65	IP65
Power Connect Mode	Pin Mode		Junction Box Mode	

Key Parameters of Displacement Sensor Screw Proportional Solenoid

Code	GP63-S-BIW	GP63-S-CIW
Rated Current (A)	2.6	2.5
Room Temperature Resistance 20°C (Ω)	4.1	3.7
Rated Force (N)	170	160
Rated Stroke (mm)	4	4
Total Stroke (mm)	≥9	≥9
Force Lag Characteristic (%)	≤5	≤5
Current Lag Characteristic (%)	≤3	≤3
Repeat Accuracy (%)	≤1	≤1
Static Oil Pressure (MPa)	21	21
Oil Temperature of Work (°C)	-20~+70	-20~+70
Degree Of Enclosure	IP65	IP65
Power Connect Mode	Pin Mode	Junction Box Mode

Connector Mark

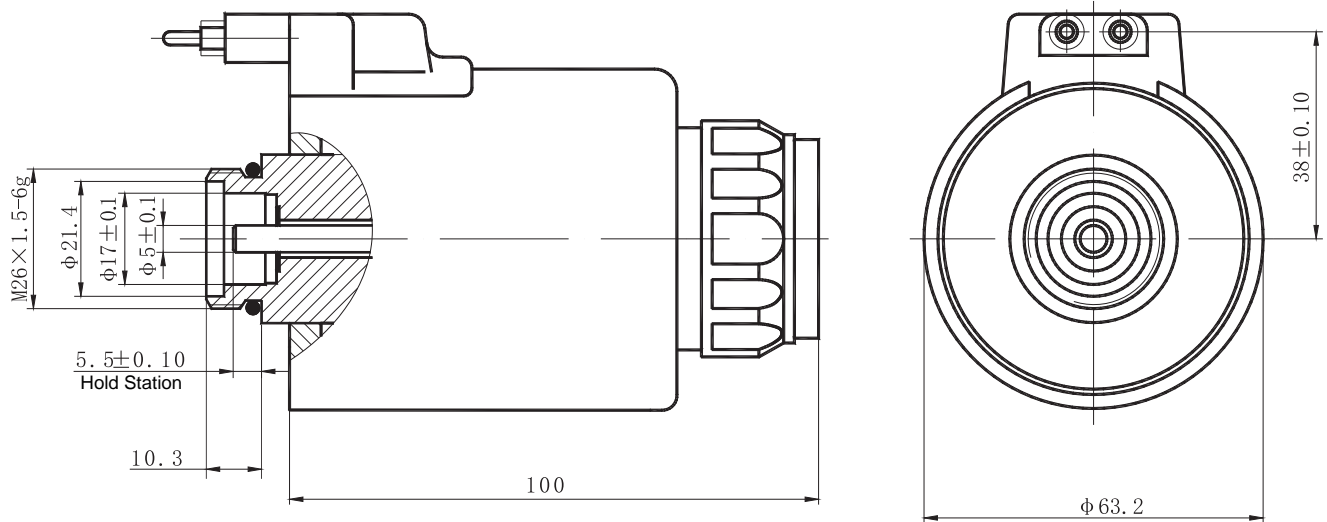




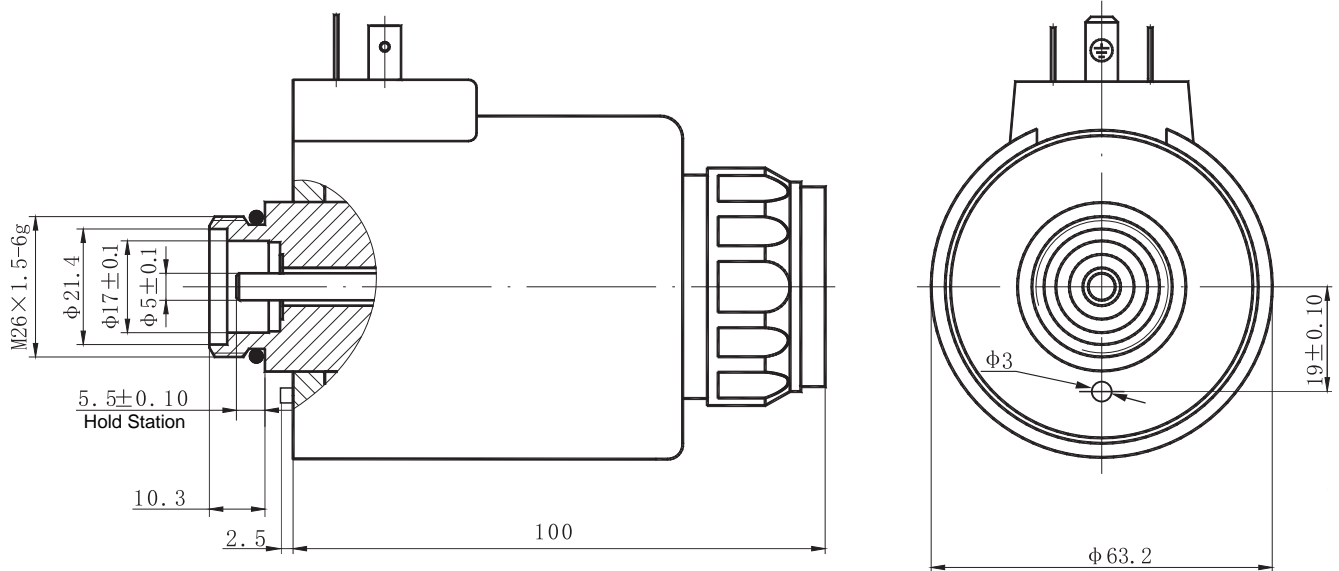
GP63 SERIES PROPORTIONAL VALVE SOLENOID WITH SCREW THREAD

Externality & Installation Dimensions

GP63 Junction Box Mode



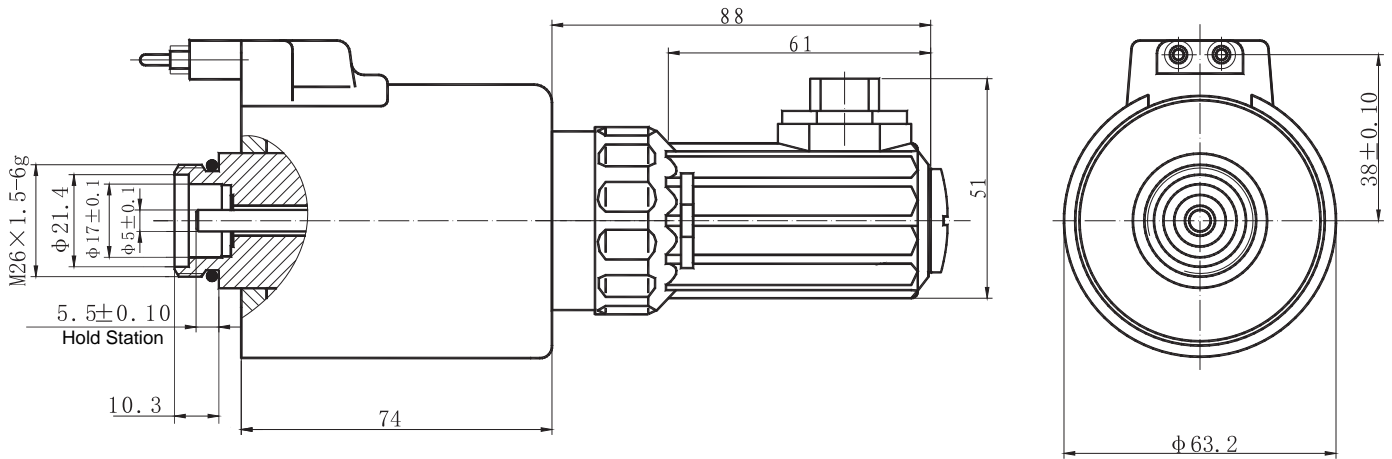
GP63 Pin Mode



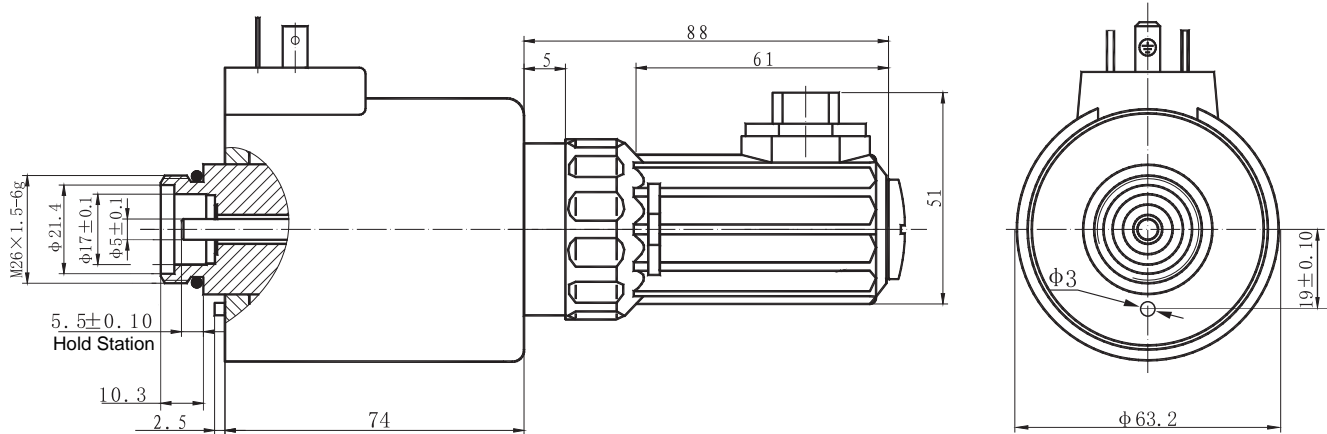


GP63 SERIES PROPORTIONAL VALVE SOLENOID WITH SCREW THREAD

GP63 Series Feedback Junction Box Mode



GP63 Series Feedback Pin Mode



Operating Notice

- There is a protector of over-current between electrical control system and solenoid, in order to prevent the solenoid and the electrical component from burning in improper conditions.
- The handle operating button is fit for adjustment, service and sometime in emergency.

Explanation Of Sample

- If client have special requirements, we can adjust the connect dimension, power connect method and the extended length of push pin as demanding.