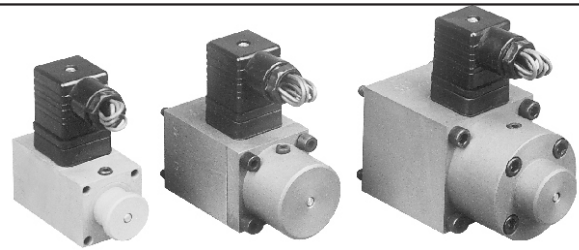




Purpose

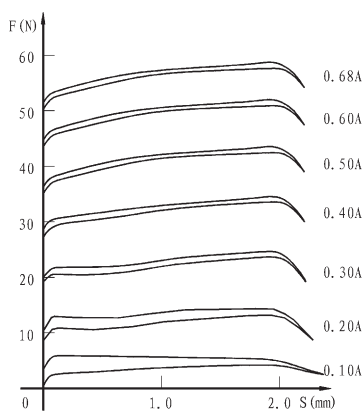
This product is a set of electric-mechanical transformation equipment, in the electric-hydraulic proportional system, together with proportional control amplifier; it is mainly used to control proportional variable flux pump and oil hydraulic motor, the output force & stroke is proportional to the input current, realizing the infinite adjustment & telecontrol of output flux of proportional variation pump and torque and speed variation of oil hydraulic motor.



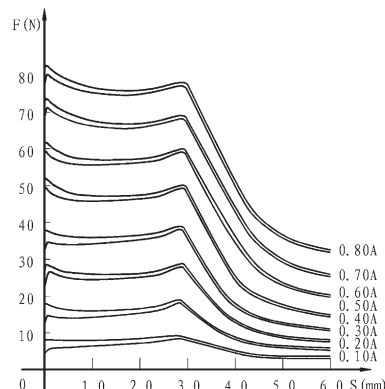
Key Parameters

Code		GH263-035	GH263-045	GH263-060
Rated Current	(A)	0.68	0.8	1.11
Room Temperature Resistance 20°C	(Ω)	24.6	19.5	16.7
Rated Force	(N)	50	75	145
Rated Stroke	(mm)	2	3	4
Total Stroke	(mm)	2.5	6	8
Force Lag Characteristic	(%)	≤3	≤3	≤4
Current Lag Characteristic	(%)	≤3	≤3	≤4
Repeat Accuracy	(%)	≤1	≤1	≤1
Static Oil Pressure	(MPa)	21	21	21
Degree Of Enclosure		IP65	IP65	IP65

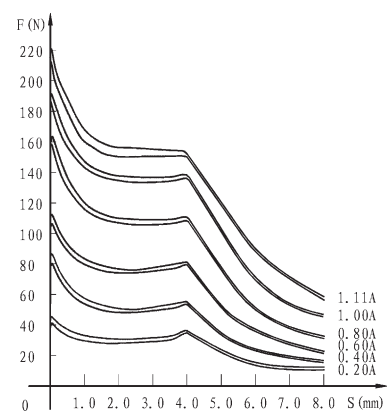
Steady Stroke-Force Curve



GH263-035



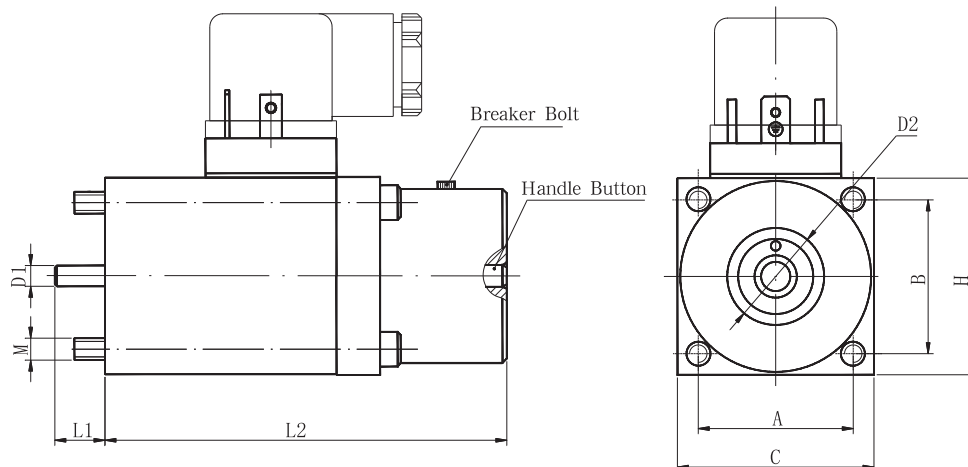
GH263-045



GH263-060



Externality & Installation Dimensions



Nominal Size Product Code	A	B	C	D1	D2	H	L1	L2	M
	GH263-035	28	28	35	φ 4	21.9	35	7.7	79
GH263-045	35.3	35.3	45	φ 5	22	45	11.2	93	M5X70-12.9
GH263-060	48	48	60	φ 6	29.8	60	11.8	108	M4X70-12.9

Operating Notice

- The socket of solenoids meet with ISO4400 standard.
- There is a protector of over-current between electrical control system and solenoid, in order to prevent the solenoid and the electrical component from burning in improper conditions.
- The handle operating button is fit for adjustment, service and sometime in emergency.
- The working medium of hydraulic system is mineral oil, phosphoric acid oil.
- Make the vent hole above when installing, make sure the air exhausted from solenoid when you use it.
- The solenoid fit for continuous duty.

Explanation Of Sample

- If the application is beyond the catalogue, please contact with us.
- Characteristic curve for reference only.
- The main performance parameter is obtained in the conditions of lab. Finally explanation and changing of the parameters by KATDT.