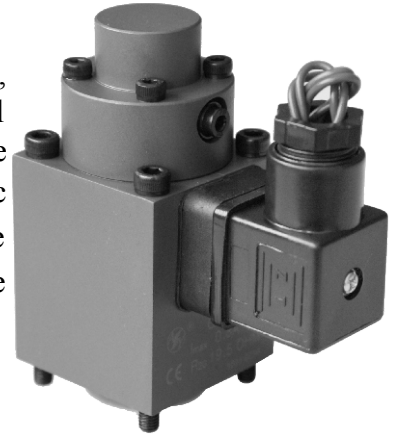




# GV45-4-A PROPORTIONAL VALVE SOLENOID

## Purpose

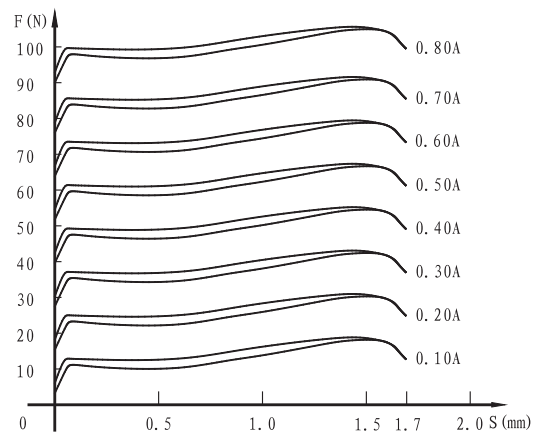
This product is used in the electric-hydraulic proportional control system, together with the proportional amplifier, realizes the control of proportional spillover valve. In range of the rated stroke and rated current, the input force & stroke is proportional to input current ( $>0.1A$ ). It changes the characteristic force of the system through the internal spring to make the output force more stabled. Rated current that is Infinite speed variation can realize the Infinite control & telecontrol of the hydraulic system.



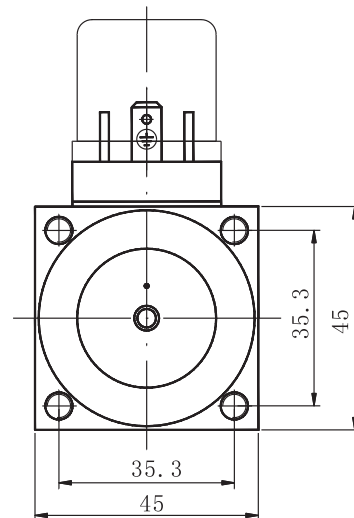
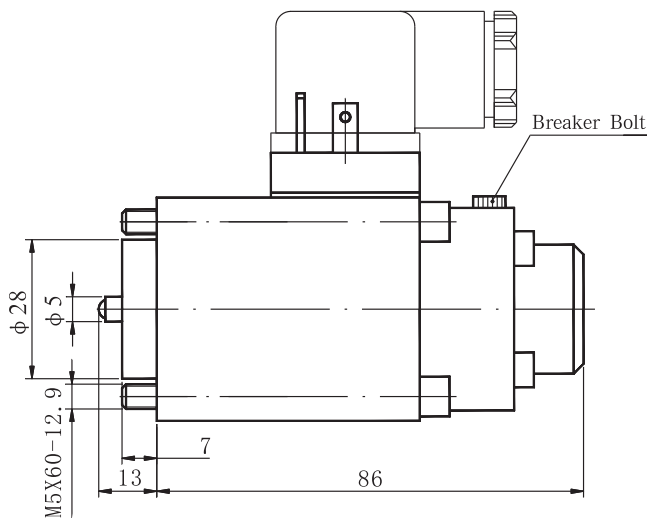
## Key Parameters

Code		GV45-4-A
Rated Current	(A)	0.8
Room Temperature Resistance 20°C	(Ω)	19.5
Rated Force	(N)	90
Rated Stroke	(mm)	1.7
Total Stroke	(mm)	1.7
Force Lag Characteristic	(%)	≤3
Current Lag Characteristic	(%)	≤3
Repeat Accuracy	(%)	≤1
Static Oil Pressure	(MPa)	21
Degree Of Enclosure		IP65

## Steady Stroke-Force Curve



## Externality & Installation Dimensions





### Operating Notice

- The socket of solenoids meet with ISO4400 standard.
- There is a protector of over-current between electrical control system and solenoid, in order to prevent the solenoid and the electrical component from burning in improper conditions.
- The working medium of hydraulic system is mineral oil, phosphoric acid oil.
- Make the vent hole above when installing, make sure the air exhausted from solenoid when you use it.
- The solenoid fit for continuous duty.

### Explanation Of Sample

- If the application is beyond the catalogue, please contact with us.
- Characteristic curve for reference only.
- The main performance parameter is obtained in the conditions of lab. Finally explanation and changing of the parameters by KATDT.