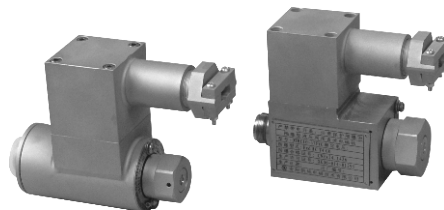




### Purpose

This series of electromagnet is flameproof hydraulic wet-valve solenoid, and can be applied to mine flameproof Exd I Mb, chemical environment with flameproof Exd II CT4 explosive gas environment. As electromagnetic directional valve power element, they can form a complete set of Yu Lishi music type, oil research type six / 10 direction valve. Solenoid type wiring using the introduction, connect with the valve by the threaded, installation, easy to install and repair. Power and energy is lower than similar products with reliable performance.

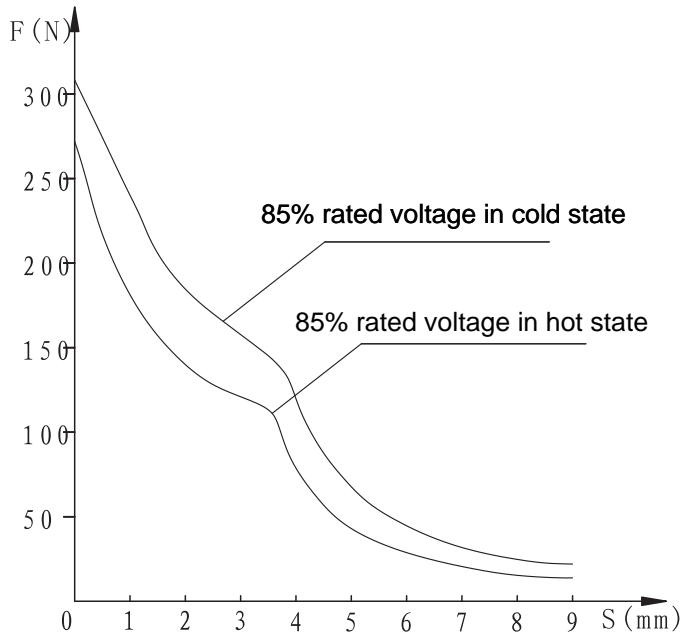


### Key Parameters

Code	DTBZ-37FYC	DTBZ-90FYC	DTBZ12-37FYC	DTBZ12-90FYC	DTBZ10-37YFC	DTBZ10-90FYC
Environment	Exd I Mb	Exd I Mb	Exd I Mb Exd II CT4	Exd I Mb Exd II CT4	Exd I Mb Exd II CT4	Exd I Mb Exd II CT4
Dimensions(mm)	110*120*45	125*137*63	135*100*45	160*120*64	110*45*100	120*63*120
Voltage Specifications (V)	DC24	DC24	DC12,DC24, DC110,AC36, AC127,AC220	DC12,DC24, DC110,AC36, AC127,AC220	DC12,DC24, DC36,AC36, AC127,AC220	DC12,DC24, DC36,AC36, AC127,AC220
Rated Suction(N)	37	90	37	90	37	90
Rated Travel(mm)	2.8	4	2.8	4	2.8	4
Rated Power(W)	18	36	16.5	18	22	22

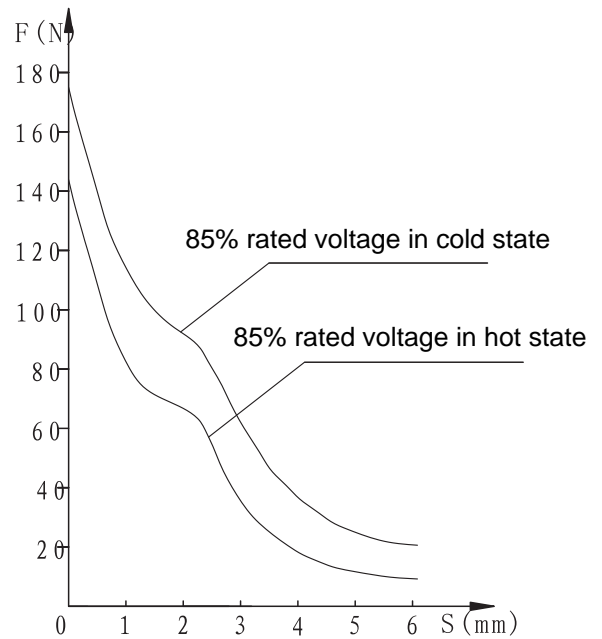


Stroke-Force Curve



DTBZ9-90FYC Exd I

Electromagnetic Force Curve (F-S Curve)

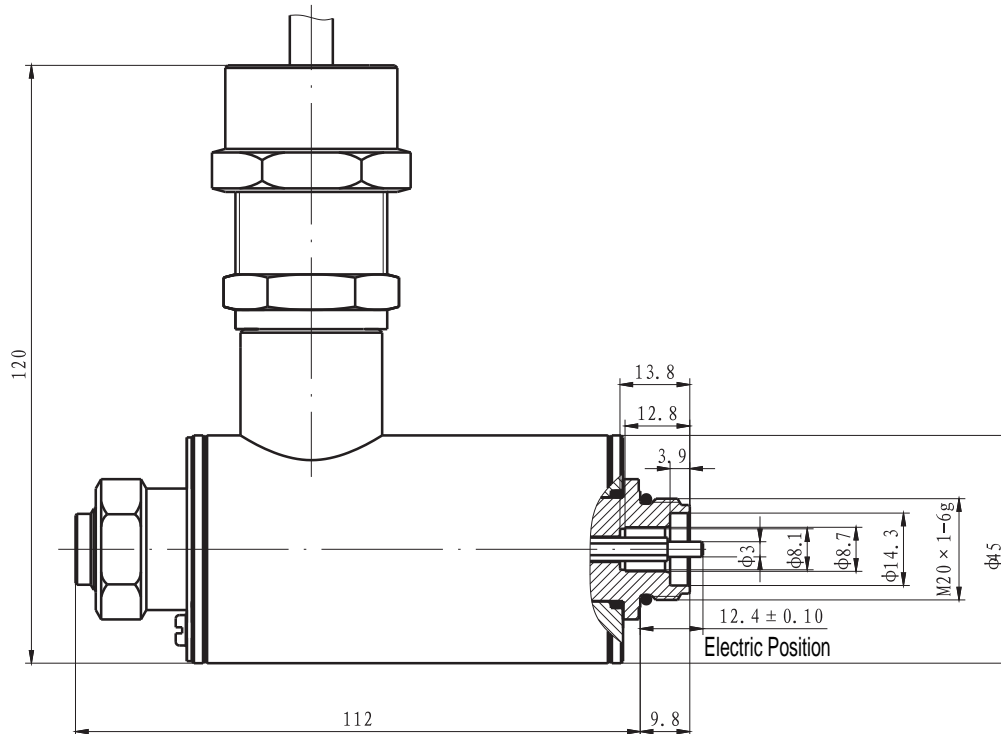


DTBZ9-37FYC Exd I

Electromagnetic Force Curve (F-S Curve)

Externality & Installation Dimensions

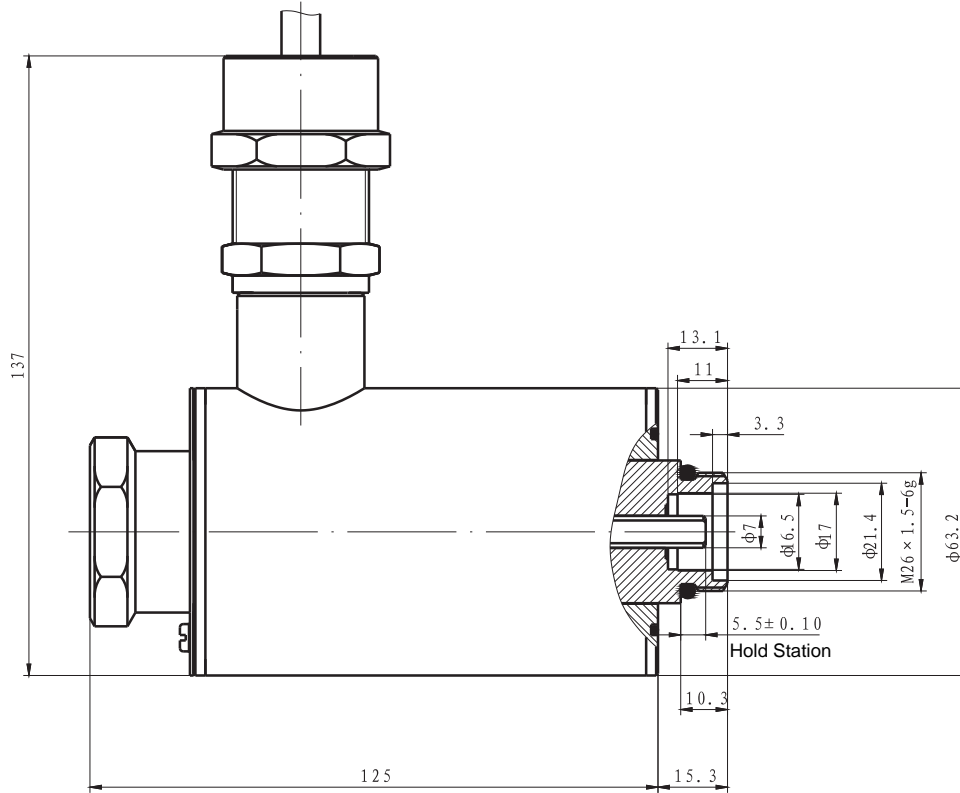
Product Code: DTBZ-37FYC



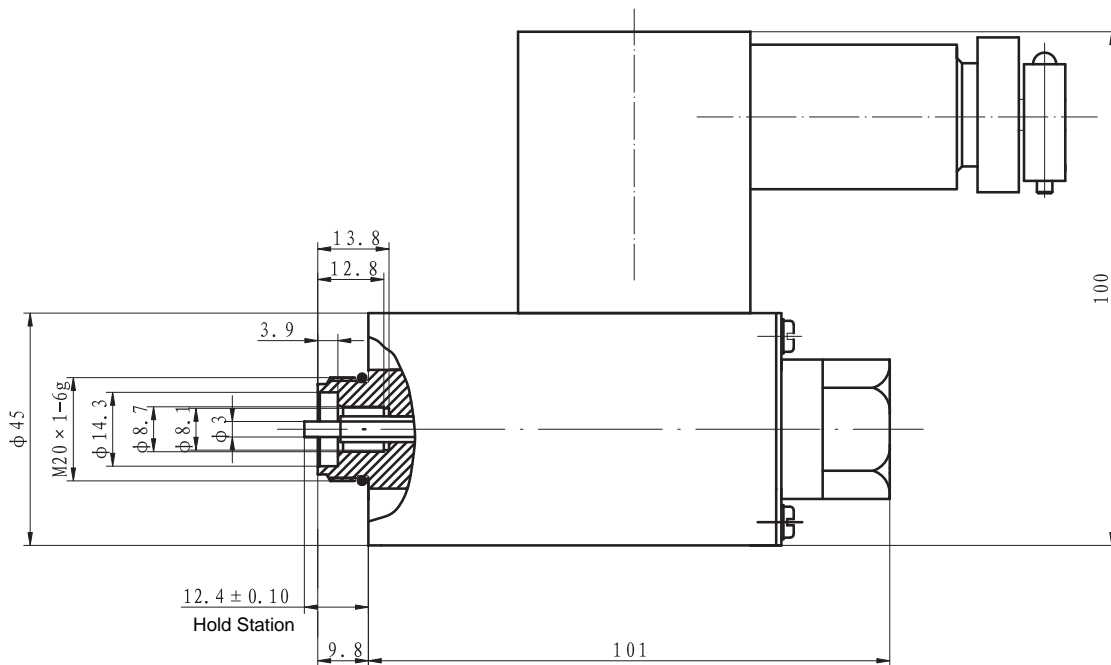


# DTBZ-FYC MINE-USED FLAMEPROOF HYDRAULIC WET-VALVE SOLENOID

Product Code: DTBZ-90FYC

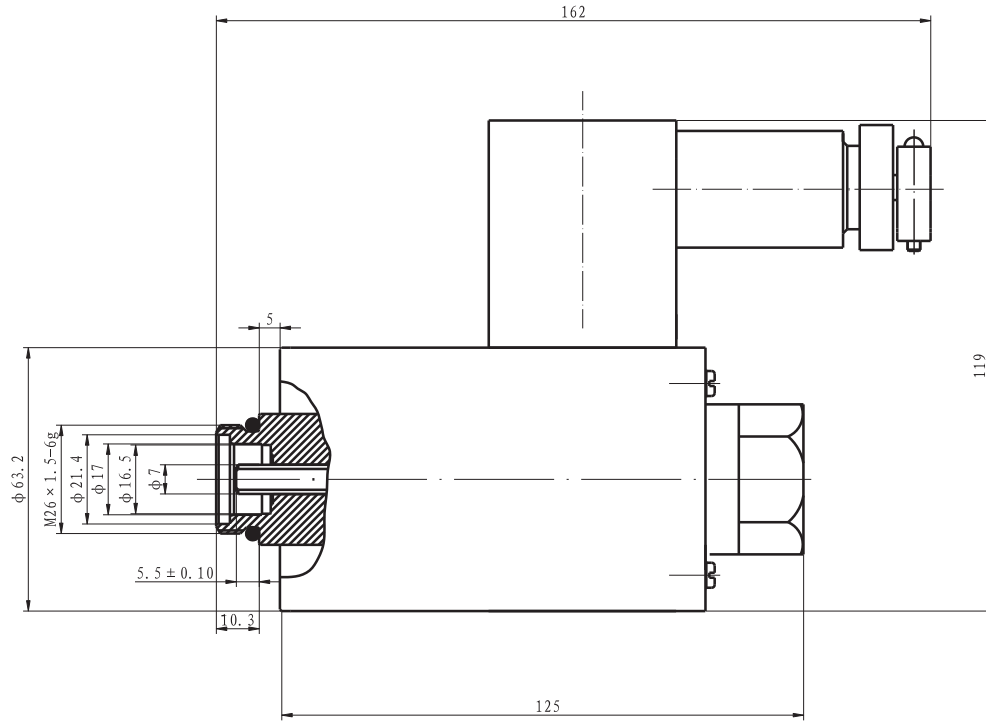


Product Code: DTBZ12-37FYC

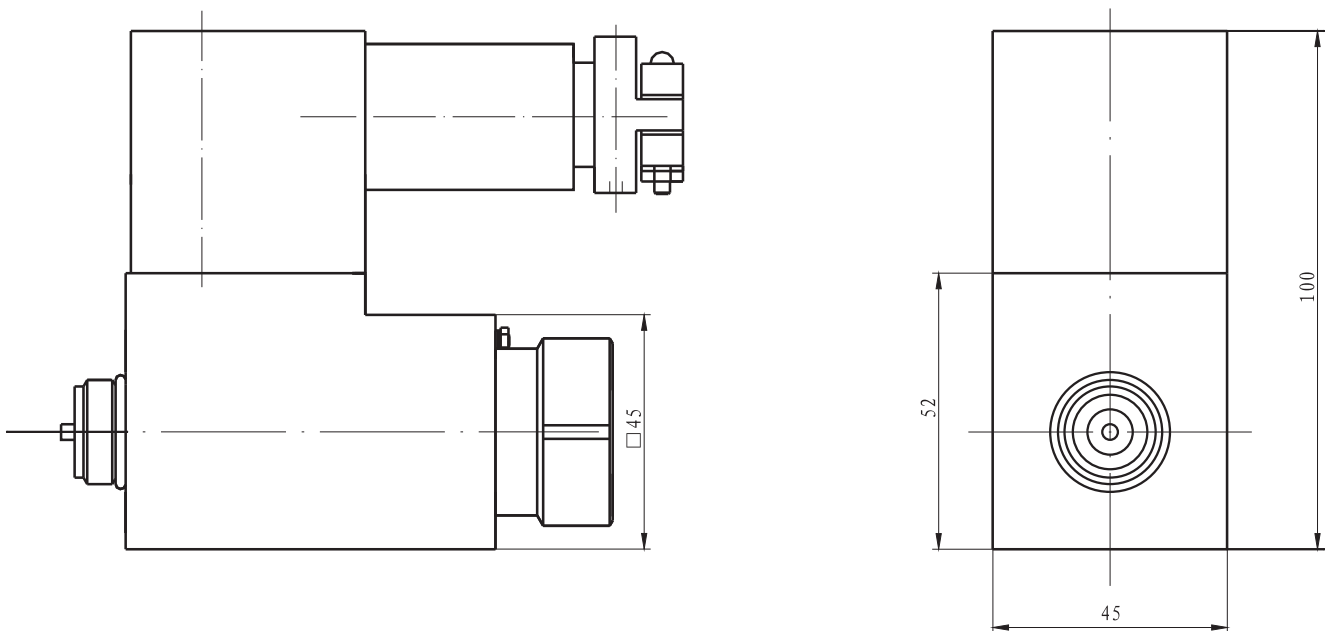




Product Code: DTBZ12-90FYC

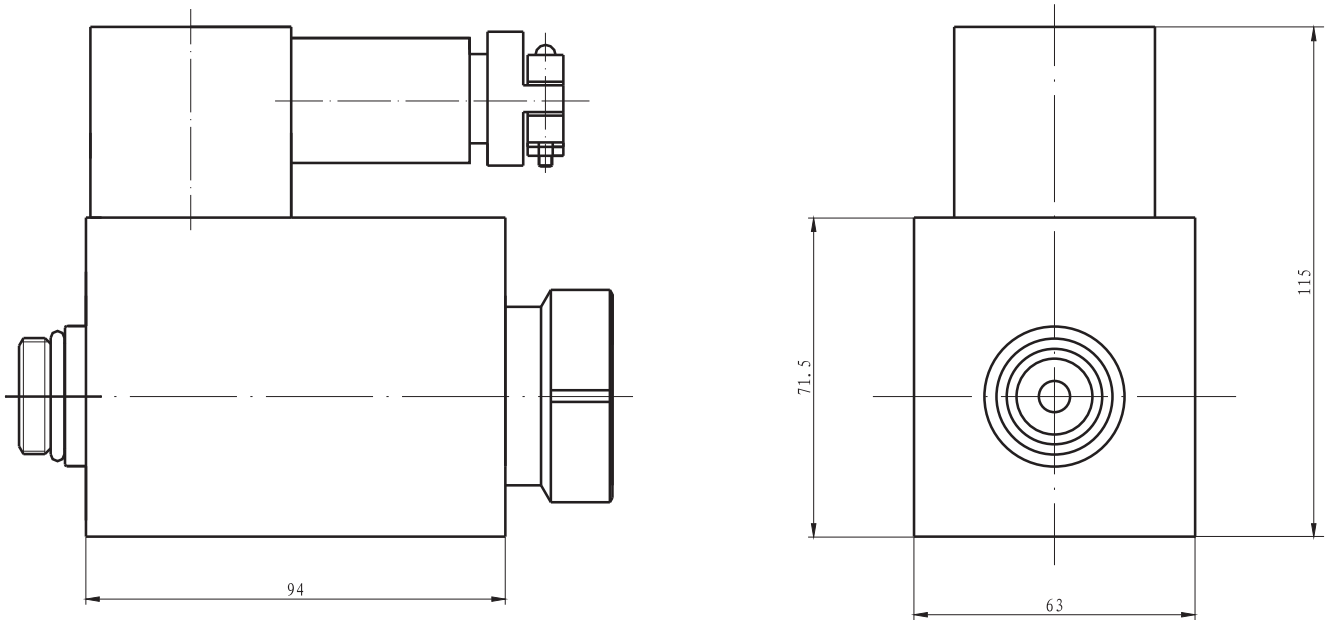


Product Code: DTBZ10-37FYC





Product Code: DTBZ10-90FYC



#### Purpose

- Asking professional personage to install. It is strictly prohibited to charged disassembly. Pay attention to protect flame-proof face when using!
- Do not disassemble replacement parts inside the product, what may cause the product does not meet explosion-proof requirements. If dismantle, causing all the consequences please conceited.